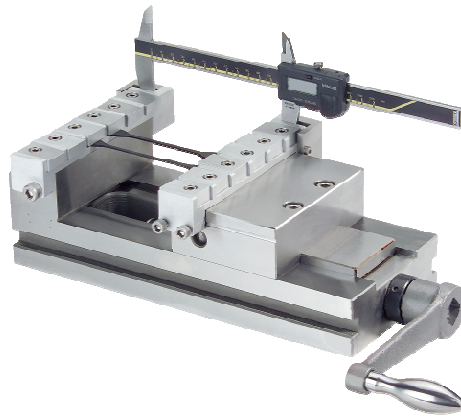




## 40-113-001 Tension set for 6 S2 bars

### Standards

DIN ISO 2285



### Application

Manual tension tester for 6 S2 bars.

### Features

- Made of stainless steel and other stainless materials
- Special construction to be used in low temperature ranges

### Technical Data

Distance between the clamping devices	min. = 10 mm max. = 260 mm
Width of the clamping devices	20 mm
Length of the tester	460 mm
Accuracy of the path measurement	$\pm 0.05$ mm
Weight	approx. 16 kg