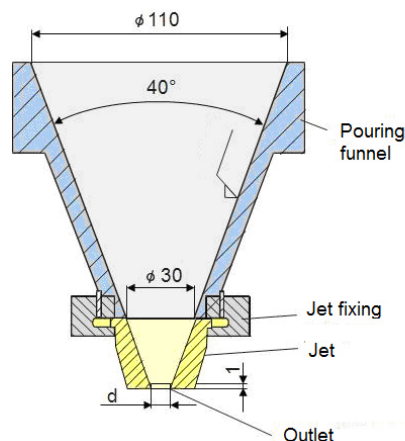




51-145-001 Plastic granulate pouring funnel

Standards

DIN EN ISO 6186



Application

Measuring system for determination of pourability plastics in form powder or granulate.

Features

- Funnel made of stainless steel, upper Ø approx. 110 mm
- Polished surface
- Funnel with earth connection
- Miscellaneous stand constructions available
- Exchangeable jets
- Miscellaneous jet diameters available (jets to be ordered separately)

Technical Data

Dimensions (WxDxH) 290 x 160 x 210 mm
 Weight ca. 7.5 kg
 Funnel Ø 110 mm, 40° angle

Accessories

incl.	Item no.	Description
-	51-146	Jet no. 1 Ø 10,0 ± 0.05 mm
-	51-147	Jet no. 2 Ø 15,0 ± 0.05 mm
-	51-148	Jet no. 3 Ø 25,0 ± 0.05 mm
-	51-149	Certificate for flotation of granulate plastics (only with jet no. 1)

Other jets are available on request.