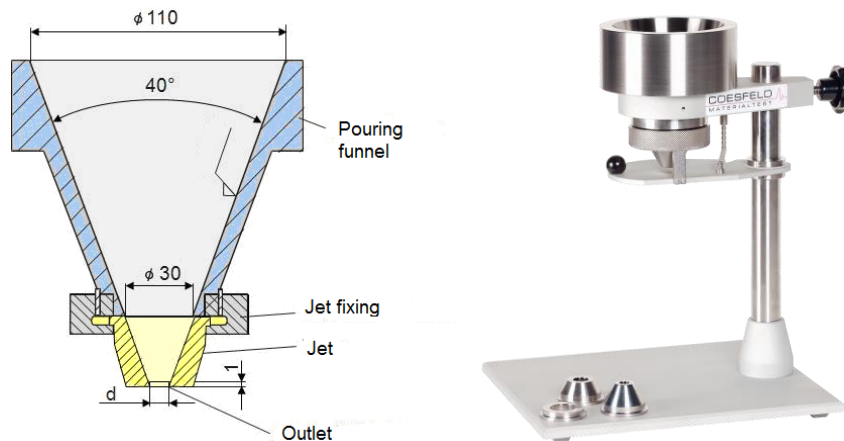




## 51-145-001 Plastic granulate pouring funnel

### Standards

DIN EN ISO 6186



### Application

Measuring system for determination of pourability plastics in form powder or granulate.

### Features

- Funnel made of stainless steel, upper  $\varnothing$  approx. 110 mm
- Polished surface
- Funnel with earth connection
- Miscellaneous stand constructions available
- Exchangeable jets
- Miscellaneous jet diameters available (jets to be ordered separately)

### Technical Data

Dimensions (WxDxH)      290 x 160 x 210 mm  
 Weight                      ca. 7.5 kg  
 Funnel                         $\varnothing$  110 mm, 40° angle

### Accessories

incl.	Item no.	Description
-	51-146	Jet no. 1 $\varnothing$ 10,0 $\pm$ 0.05 mm
-	51-147	Jet no. 2 $\varnothing$ 15,0 $\pm$ 0.05 mm
-	51-148	Jet no. 3 $\varnothing$ 25,0 $\pm$ 0.05 mm
-	51-149	Certificate for flotation of granulate plastics (only with jet no. 1)

*Other jets are available on request.*