

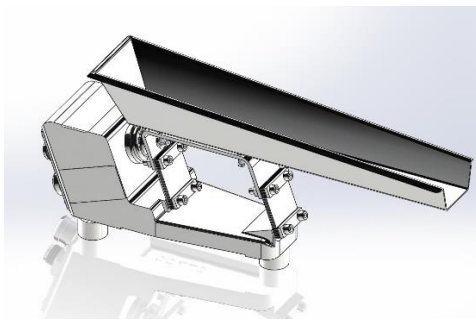


Apparent Density Tester for Activated Carbon



Tester for determination of the apparent density of granular activated carbon in accordance with ASTM D2854.

ASTM D2854



- Controlled flow of granules
- Sturdy Support for Vibratory feeder
- Reservoir Funnel at variable heights
- Graduated Cylinders (borosilicate glass 3.3)
- Feed Funnel

Technical Data

Stainless steel flat pan through size 1 ½ x 12 “

Max. vibrating speed 3000/min (220V / 50 Hz)

Amplitude 1.5 mm

Graduated Cylinders, Class A:

- 1x Size 100 ml, graduation 1 ml ±0.5 ml,
- 1x Size 250 ml, graduation 2 ml ±1.0 ml,
- 1x Size 500 ml, graduation 5 ml ±2.5 ml

Feed Funnels:

- 1x fit to 100 ml cylinder,
- 1x fit to 250 ml cylinder,
- 1x fit to 500 ml cylinder